

## LM1 Series Moulded Case Circuit Breaker



LM1-400L/3P



Back panel connection



Plug-in



Electromagnetic operation device



Motor-driven operation device

**Table 2**

Rated current of release (A)	Thermodynamic release(ambient temp Land+40°C marine+45°C)		Operational current of magnetic release (A)
	1.05I <sub>n</sub> (cold state) Inoperative time(h)	1.30I <sub>n</sub> (heat state) Operative time(h)	
10≤I <sub>n</sub> ≤63	≥1	<1	10I <sub>n</sub> ±20%
63≤I <sub>n</sub> ≤100	≥2	<2	
100≤I <sub>n</sub> ≤800	≥2	<2	5I <sub>n</sub> ±20% 10I <sub>n</sub> ±20%

**Table 3**

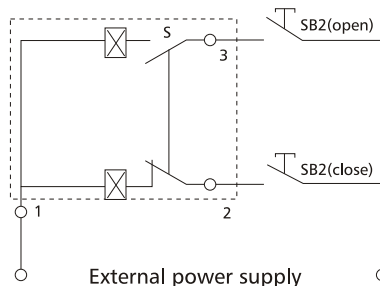
Rated current of release (A)	Thermodynamic release(ambient temp Land+40°C marine+45°C)				Operational current of magnetic release (A)
	1.0I <sub>n</sub> (cold state) Inoperative time(h)	1.20I <sub>n</sub> (heat state) Operative time(h)	1.50I <sub>n</sub> (heat state) Operative time(h)	7.2I <sub>n</sub> (heat state) Operative time(h)	
10≤I <sub>n</sub> ≤225	≥2	<2	≤4min	4s<T <sub>p</sub> ≤10s	12I <sub>n</sub> ±20%
225≤I <sub>n</sub> ≤630			≤8min	6s<T <sub>p</sub> ≤20s	

### Accessories of circuit breaker

The external accessories of the breaker

Motor-driven operation device

1) Wiring diagram of type CDM electromagnetic operation device(fitting LM1-63,100,225) see the following drawing (wiring diagram of the external accessories of the breaker in the dotted frame)

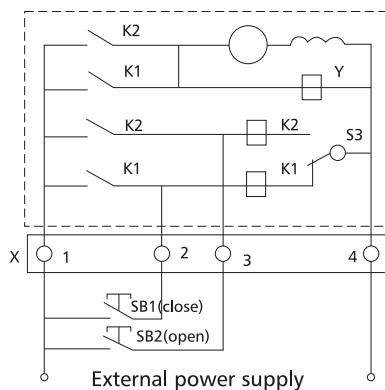


Code description: SB<sub>1</sub>、SB<sub>2</sub>stand for push button.(provided by users themselves)

Number"1"、"2"、"3"stand for number of wiring terminals.

Voltage rating: AC50HZ230V、400V、DC220V

2) Wiring diagram of type CD motor-driven operation device (fitting LM1-400、630、800) see belows (wiring diagram of the external accessories of the breaker in the dotted frame)



Code description: SB<sub>1</sub>、SB<sub>2</sub>stand for push button.(provided by users themselves)

"X" stands for line connection terminals

Voltage rating: AC50HZ230V、400V、DC220V